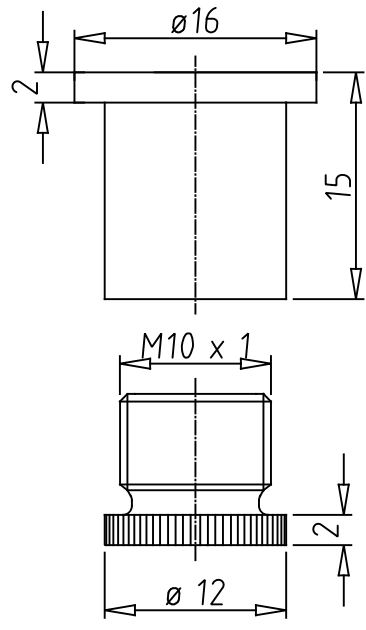


A	B	C	D	E	F
---	---	---	---	---	---

1
2
3
4
5
6
7
8



All dimensions in mm.
 Drawing not to be scaled
 Avoid dust, rust and scratches
 Remove sharp corners
 General tolerances where not specified: ±0,2mm

	Date	Name			Scale	2:1	Format	A4	Tolerance:	m	
Dwg.	15.02.15	Z Z			Weight	12 g	Surface:	black coated	Material	brass	
Ckd.					Designation:	Combination of attachment M6/M10x1 with cap M10x1, black coated					
MB-Licht GmbH Wächtersbacherstr. 86 60386 Frankfurt am Main Tel.: +49 (0) 69-173094490 info@mb-licht.de • www.mb-licht.de					Drawing/Item code	DK - 007				Sheet 1	
	Rev.	Change	Date	Name	Revision No.						7S