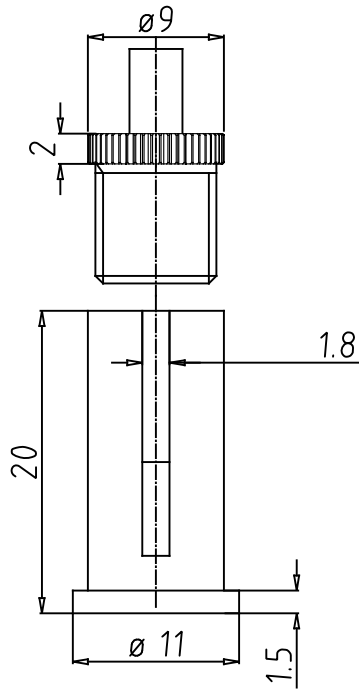


A	B	C	D	E	F
---	---	---	---	---	---



1
2
3
4
5
6
7
8

All dimensions in mm.
 Drawing not to be scaled
 Avoid dust, rust and scratches
 Remove sharp corners
 General tolerances where not specified: ±0,2mm

	Date	Name			Scale	2 : 1	Format	A4	Tolerance:	m
Dwg.	16.02.15	KS			Weight		Surface:	Nickel plated	Material	brass
Ckd.					Designation:	Combination of attachment with slit, M6/M8x1 and Gripper G-12-02				
MB-Licht GmbH Wächtersbacherstr. 86 60386 Frankfurt am Main Tel.: +49 (0) 69-173094490 info@mb-licht.de • www.mb-licht.de					Drawing/Item code	DK-010				Sheet 1
										7S
		Rev.	Change	Date	Name	Revision No.				