

A

B

C

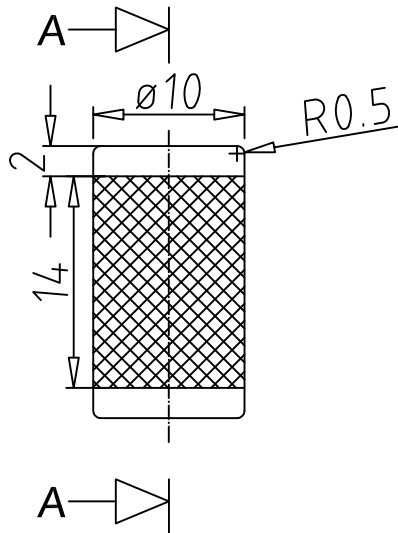
D

E

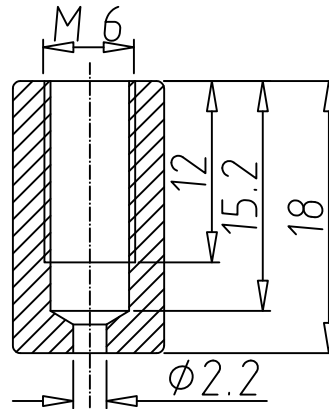
F

1

2



A - A



3

4

5

6

7

8

All dimensions in mm.
 Drawing not to be scaled
 Avoid dust, rust and scratches
 Remove sharp corners
 General tolerances where not specified: $\pm 0,2\text{mm}$

	Date	Name			Scale	2:1	Format	A4	Tolerance:	m
Dwg.	25.10.13	KS			Weight	12g	Surface:	Nickel plated	Material	brass
Ckd.					Designation:	Attachment M6i, with Cross-knurl				
MB-Licht					Drawing/Item code	zcc-002				Sheet1
				Rev.	A	Change	Date	Name	Revision No.	