

1

2

3

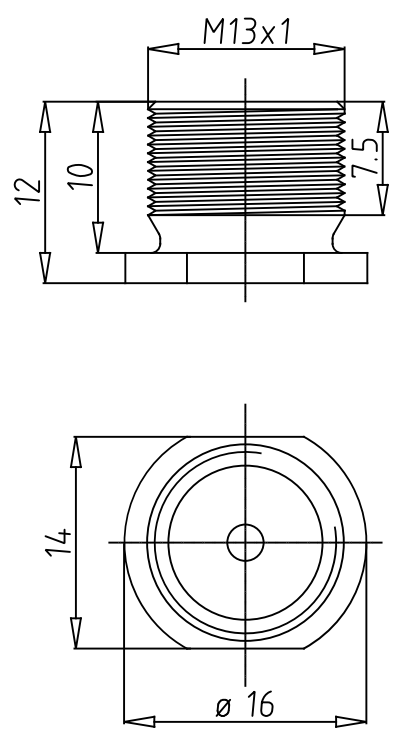
4

5

6

7

8



All dimensions in mm.
 Drawing not to be scaled
 Avoid dust, rust and scratches
 Remove sharp corners
 General tolerances where not specified: $\pm 0,2\text{mm}$

	Date	Name				Scale	2:1	Format	A4	Tolerance:	m
Dwg.	15.02.15	Z Z				Weight	3 g	Surface:	Nickel plated	Material	brass
Ckd.						Designation: Cap M13x1, bore 2,5mm for cables up to 2,0mm spanner flat 14mm					
MB-Licht GmbH Wächtersbacherstr. 86 60386 Frankfurt am Main Tel.: +49 (0) 69-173094490 info@mb-licht.de • www.mb-licht.de						Drawing/Item code K - 010					Sheet 1
		A									7S
		Rev.	Change	Date	Name	Revision No.					